

FEATURES

- Quartz Stability
- Ideal for wireless security and remote control applications

ONE-PORT SAW RESONATOR

The RXDR1 Series are 1-port SAW (Surface Acoustic Wave) resonators in a thru-hole TO39-3A package. They offer a fundamental mode, quartz frequency and are ideal for remote control and wireless security transmitters.

PART NUMBERING GUIDE "EXAMPLE"

PART NUMBER	FREQUENCY (318.00 MHz)
RXDR1	318

OPERATING CONDITIONS/ELECTRICAL CHARACTERISTICS

PARAMETERS	SYMBOL/NOTES	RXDR1-3100	RXDR1-3150	RXDR1-3180	RXDR1-4180	RXDR1-4339	UNITS
CENTER FREQUENCY	F_0	310.0 ±0.1	315.0 ±0.1	318.0 ±0.075	418.0 ±0.075	433.92 ±0.075	MHz
INSERTION LOSS	IL	2.0	2.0	2.0	2.0	2.0	dB Max.
UNLOADED Q		13,900	13,900	11,000	13,900	13,900	
50 Ohms LOADED Q		2,100	2,100	2,100	2,100	2,100	
TURNOVER TEMPERATURE		10/40	10/40	10/40	5/40	10/40	°C
FREQ. TEMP. COEFFICIENT	FTC	0.037	0.037	0.037	0.037	0.037	ppm/°C
FREQUENCY AGING		< ±10	< ±10	< ±10	< ±10	< ±10	ppm/year
DC INSULATION RESISTANCE	Between any 2 pins	>1	>1	>1	>1	>1	M Ohms
MAX. DC VOLTAGE	Between any 2 pins	10	10	10	10	30	VDC
PIN 1-TO-2 STATIC CAPACITANCE		2.5 ±0.3	2.5 ±0.3	2.3 ±0.3	2.3 ±0.3	2.0 ±0.3	pF
TRANSDUCER STATIC CAPACITANCE		2.2	2.2	2.2	1.7	1.7	pF
OPERATING TEMPERATURE	T_{OPR}	-40 to +85	-40 to +85	-40 to +85	-40 to +85	-40 to +85	°C
STORAGE TEMPERATURE	T_{STG}	-40 to +85	-40 to +85	-40 to +85	-40 to +85	-40 to +85	°C
CASE		TO-39-3A	TO-39-3A	TO-39-3A	TO-39-3A	TO-39-3A	

PACKAGE DIMENSIONS (mm)

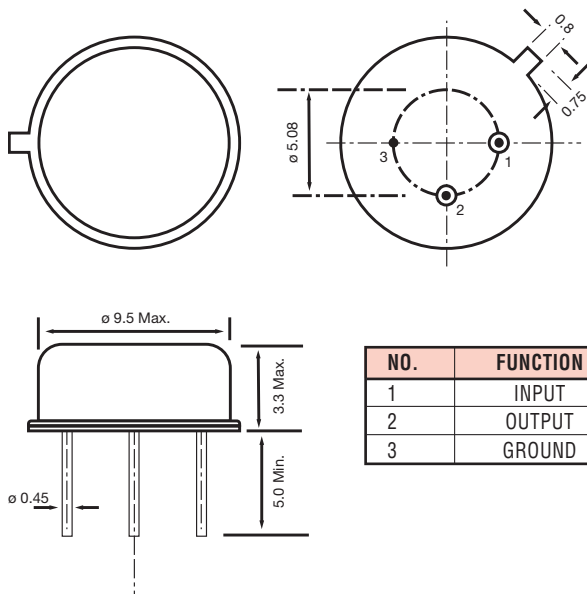


Figure 1) RXDR1 - Top, Side and Bottom views

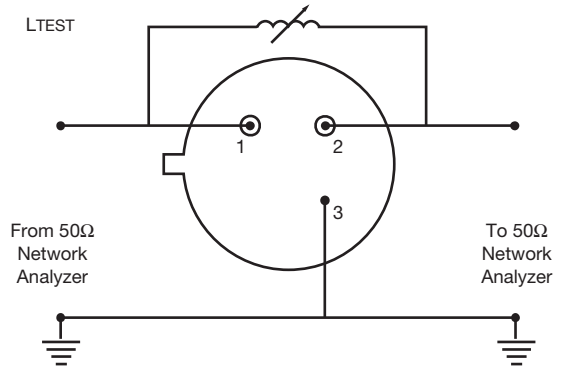


Figure 2) Test Circuit

NO.	FUNCTION
1	INPUT
2	OUTPUT
3	GROUND