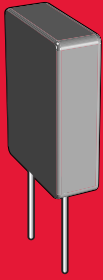




# LZU450C, LZU450C4N



## FEATURES

- AM use
- IF filter

## CERAMIC FILTER

AM • IF ceramic filter for AM use.

## OPERATING CONDITIONS/ELECTRICAL CHARACTERISTICS

| PART NUMBER | CENTER FREQUENCY | RESONATOR RESISTANCE | $\Delta F (F_a - F_r)$ | TEMPERATURE COEFFICIENT (TYP) | APPLICATION         |
|-------------|------------------|----------------------|------------------------|-------------------------------|---------------------|
| LZU 450C    | 450 $\pm$ 1KHz   | 20 Ohm Max.          | 14 $\pm$ 2KHz          | $\leq$ 20 PPM/ $^{\circ}$ C   | IF Signal Detection |
| LZU 450C4N  | 450 $\pm$ 0.8KHz | 30 Ohm Max.          | 9 $\pm$ 2KHz           | $\leq$ 20 PPM/ $^{\circ}$ C   | IF Signal Detection |

## PACKAGE DIMENSIONS (mm)

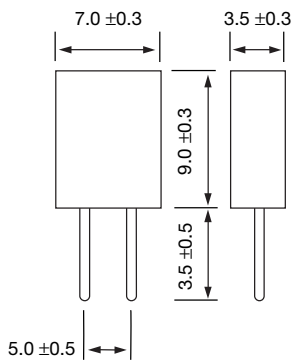


Figure 1) LZU450C / LZU450C4N  
Front and Side views

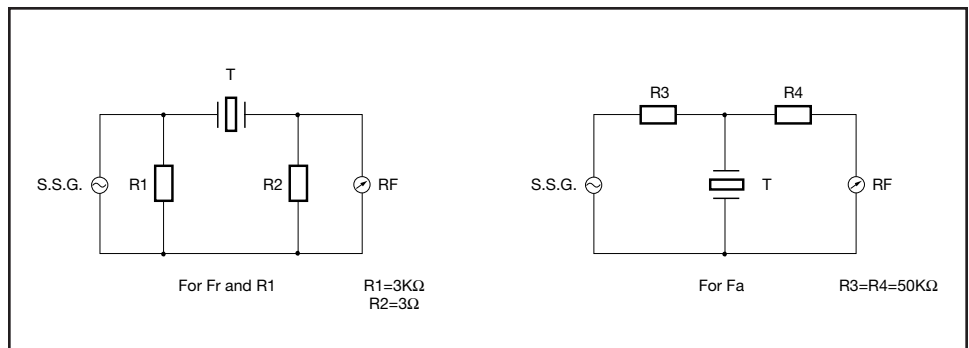


Figure 2) LZU450C / LZU450C4N – Measuring Circuit