

RXD LTE SERIES



FEATURES

- Wide bandwidth
- Low insertion loss
- Excellent spurious suppression characteristics
- TV SIF stage use

CERAMIC FILTER

The LTE Series ceramic filter is used for TV 4.5 / 5.5 / 6.0 / 6.5 MHz (TV SIF stage use).

PART NUMBERING GUIDE "EXAMPLE"

PART NUMBER	3dB BAND WIDTH (KHz) MIN.	20dB BAND WIDTH (KHz) MAX.	INSERTION LOSS (dB) MAX.	SPURIOUS RESPONSE (dB) MIN./FREQ.	INPUT / OUTPUT IMPEDANCE (Ω)
LTE4.5MB	±60(±105)	530(420)	6(4)	20(4.5 +0.8 -1.0 MHz)	1000
LTE5.5MB	±75(±120)	550(470)	6(3)	25(5.5±1.0 MHz)	600
LTE6.0MB	±80(±130)	600(500)	6(2.5)	25(6.0 ±1.0 MHz)	470
LTE6.5MB	±80(±130)	630(530)	6(2.5)	25(6.5 ±1.0 MHz)	470

() = Typical values

PACKAGE DIMENSIONS (mm)

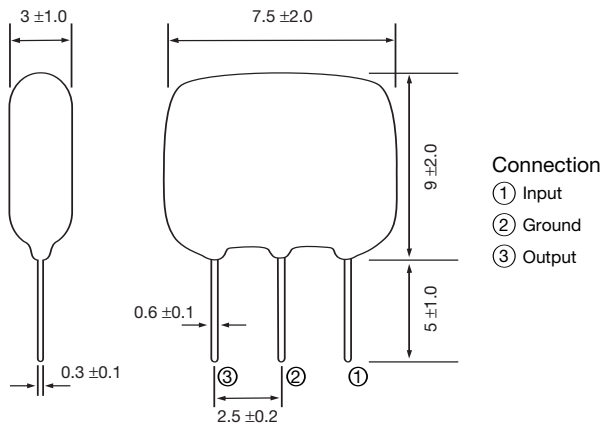


Figure 1) LTE Series – Front and Side views

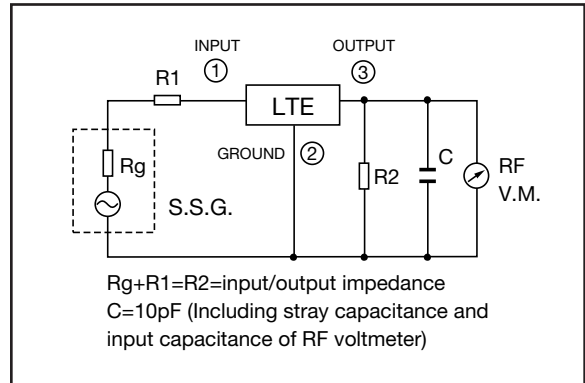


Figure 2) LTE Series – Measuring Circuit

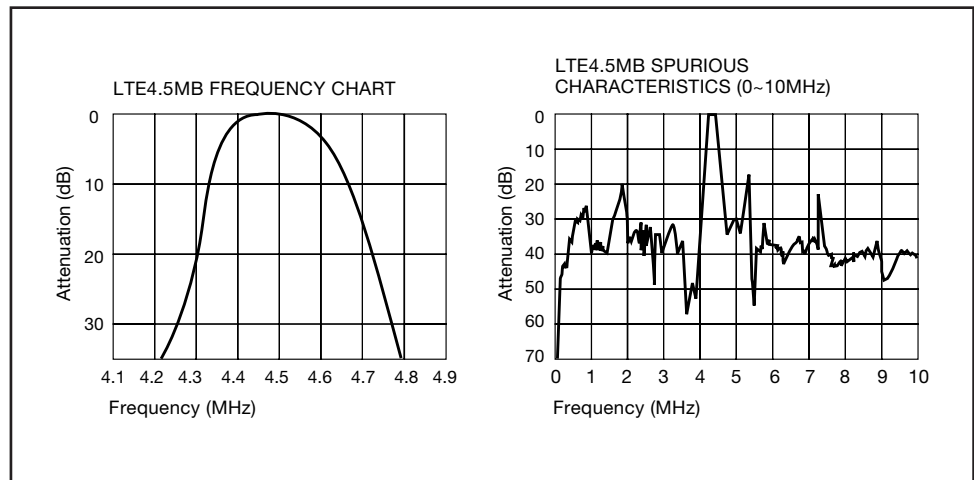


Figure 3) LTE Series – Characteristics