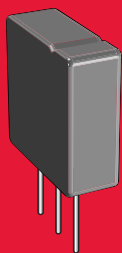
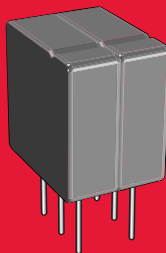


RXD LPUB, LPZJL SERIES

CERAMIC FILTER



LPU 455B



LPZ 455JL

FEATURES

- AM use
- Excellent matching characteristics for IFT

PART NUMBERING GUIDE "EXAMPLE"

PART NUMBER	3dB BANDWIDTH (KHz)	SELECTIVITY -9 KHZ OFF (dB) MIN.	SELECTIVITY +9 KHZ OFF (dB) MIN.	INSERTION LOSS (dB) MAX.	COMPOSITION
LPU455B - (connected with IFT)	10 ±3	5 (7.5)	3 (5.5)	5 (3)	1 Element with IFT
LPZ455JL - (connected with IFT)	5.5 ±1	18 (20)	18 (20)	7 (3.5)	2 Elements Direct Coupling Type

- Center frequency (f_0) is available in a range of 450 to 470KHz. The standard tolerance of f_0 is ±1KHz. For synthesizers and digital indicators, ±1KHz tolerance is also available.
- The LPZ455JL series, with its two directly coupled elements, has a high degree of selectivity. The series features excellent matching characteristics for IFT.
- () = Typical values

PACKAGE DIMENSIONS (mm)

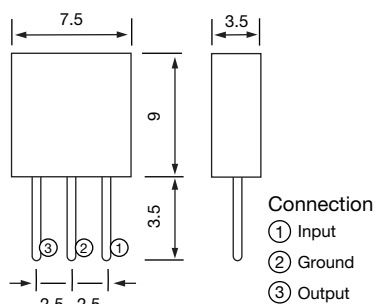


Figure 1) LPU455B – Front and Side views

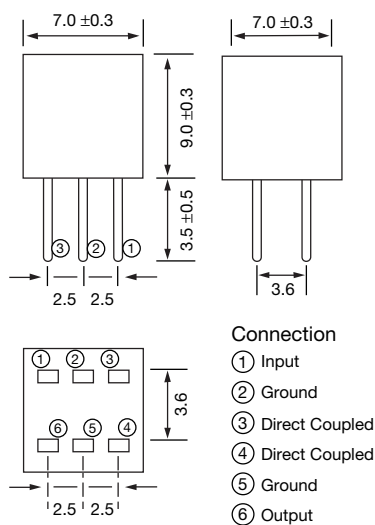


Figure 2) LPZ455JL – Front, Side and Bottom views

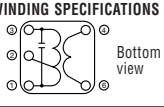
ITEM \ TYPE	LPU □□□B			LPZ □□□JL		
WINDING SPECIFICATIONS	①—②	②—③	④—⑥	①—②	②—③	④—⑥
 Bottom view	70 T	115 T	7 T	68 T	84 T	14 T
UNLOADED Q_u	105			90		
TUNING CAPACITY	180pF			180pF		

Figure 3) Recommended IFT Specifications

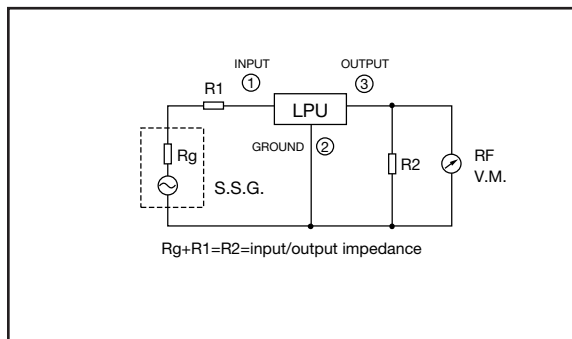


Figure 4) LPU Series – Measuring Circuit

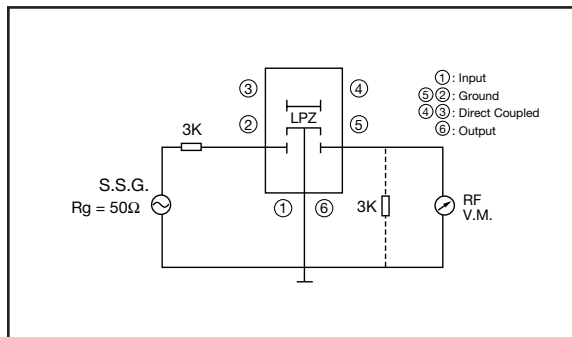


Figure 5) LPZ Series – Measuring Circuit