

## FEATURES

- AM use
- IF filter
- 4 elements

## 4 ELEMENT CERAMIC FILTER

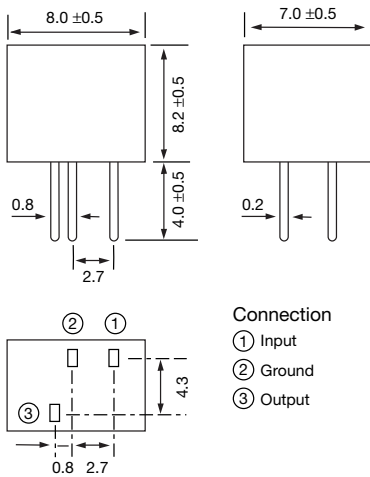
Ceramic filter for AM use.

## OPERATING CONDITIONS/ELECTRICAL CHARACTERISTICS

PART NUMBER	BAND WIDTH 6dB (KHz) min.	SELECTIVITY (dB) min.	INSERTION LOSS (dB) max.	INPUT / OUTPUT IMPEDANCE ( $\Omega$ )	CENTER FREQUENCY (KHz)
LPP 450D	$\pm 10$	$\pm 20$ KHz off 40 (50)	4.0	1500	450 $\pm 1$
LPP 459D	$\pm 10$	$\pm 20$ KHz off 40 (50)	4.0	1500	459 $\pm 1$
LPP 450F	$\pm 6.0$	$\pm 12.5$ KHz off 40 (50)	6.0	1500	450 $\pm 1$
LPP 459F	$\pm 6.0$	$\pm 12.5$ KHz off 40 (50)	6.0	1500	459 $\pm 1$
LPP 450G	$\pm 4.5$	$\pm 9$ KHz off 30 (40)	6.0	2000	450 $\pm 1$
LPP 459G	$\pm 4.5$	$\pm 9$ KHz off 30 (40)	6.0	2000	459 $\pm 1$
LPP 450H	$\pm 3.0$	$\pm 9$ KHz off 40 (50)	6.0	2000	450 $\pm 1$
LPP 459H	$\pm 3.0$	$\pm 9$ KHz off 40 (50)	6.0	2000	450 $\pm 1$

( ) = Typical values

## PACKAGE DIMENSIONS (mm)



- Connection
- ① Input
  - ② Ground
  - ③ Output

Figure 1) LPP450 / LPP459 Series – Front, Side and Bottom views

ESR ( $\Omega$ )	WINDING SPECIFICATIONS		
	①—②	②—③	④—⑥
	60 T	12.5 T	28 T
$Q_U$	40		
$C_T$	180pF		

Figure 2) Recommended IFT Specifications

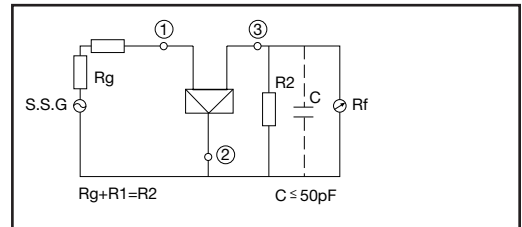


Figure 3) Measuring circuit

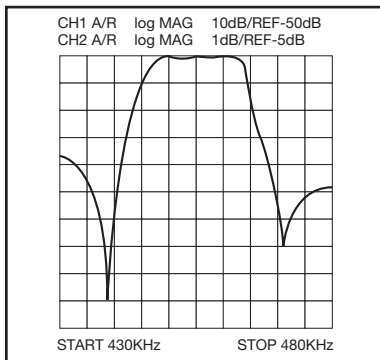


Figure 4) Characteristics – (430 ~ 480KHz)

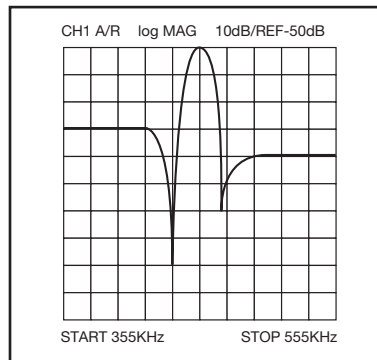


Figure 5) Characteristics – (355 ~ 555KHz)

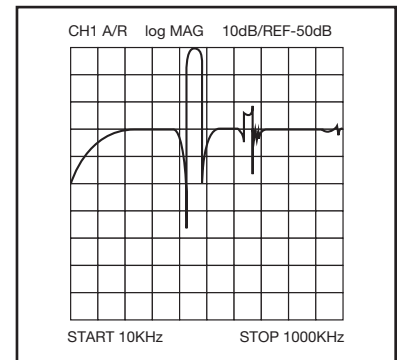


Figure 6) Characteristics – (10 ~ 1000KHz)